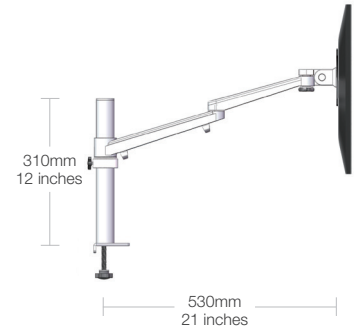
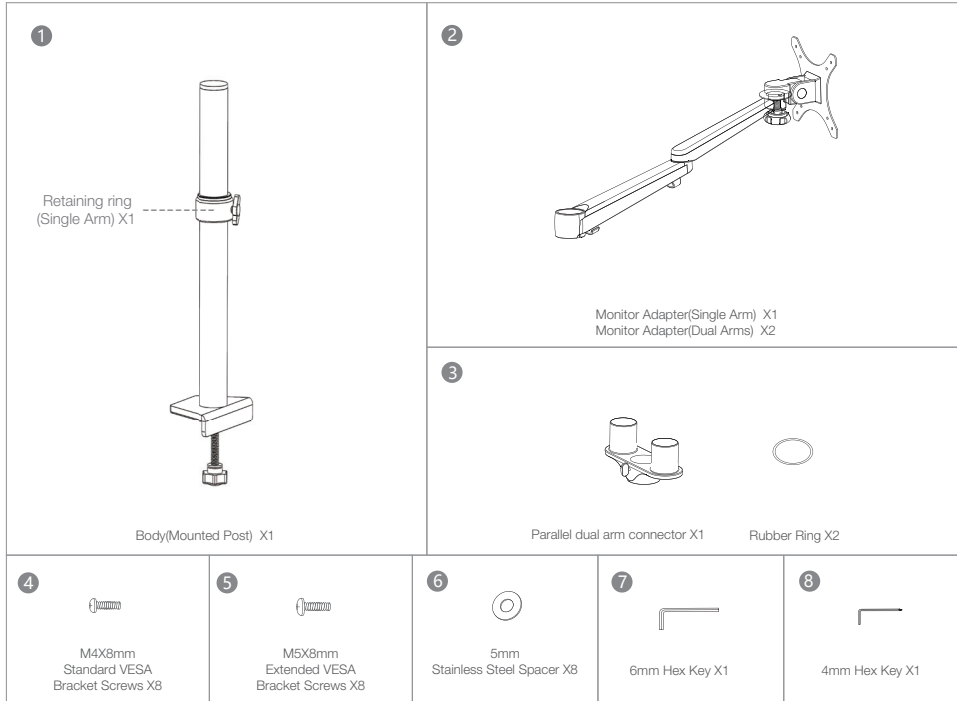


Monitor Arms

for DeskRite 100 Sit-Stand Workstation

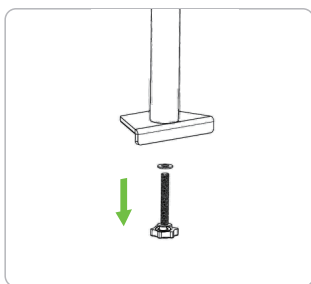


Screen

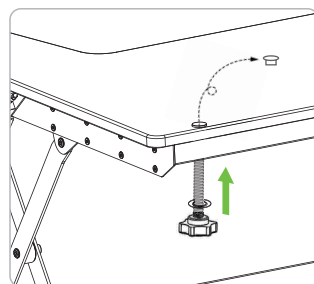
Max weight: 7kg/15lbs
Max size: 680mm/27inches

9820753	Monitor Arm - Single
9820754	Monitor Arm - Dual

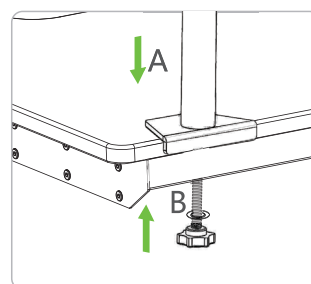
Installation instructions



1 Remove the base screw from column.



2 Push the bolt up through the desktop and open cover.



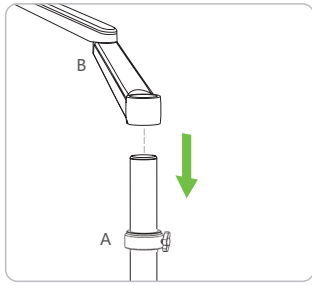
3 Place the column (A) then tighten the bolt (B) underneath, secure the main column.

Continued overleaf...

Installation instructions

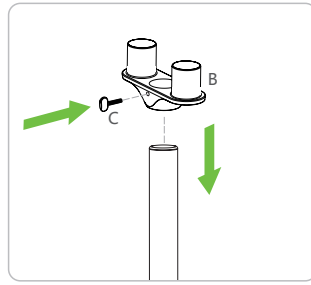
...continued

For Installation of Single Arm

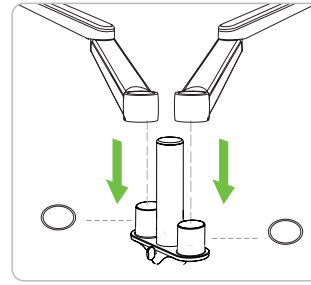


- 4** Slide the retaining ring (A) onto the column, then insert the double section arm (B) onto upright column.

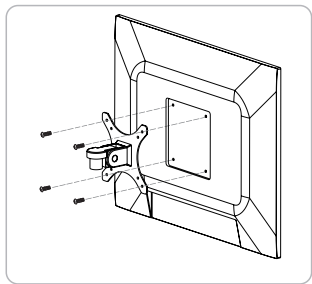
For Installation of Dual Arm



- 5** Insert the dual arm connector (B) into the post. Adjust the appropriate position then tighten the screw (C).



- 6** Slide the nylon washers onto the dual arm connector then position both arms onto the connector.



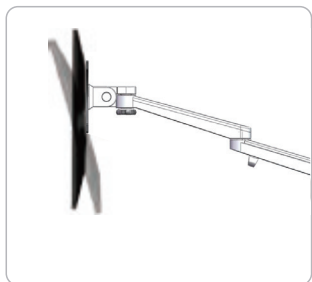
- 7** Place VESA bracket in position on back of the monitor with lip facing up, attach using 4 screws provided.



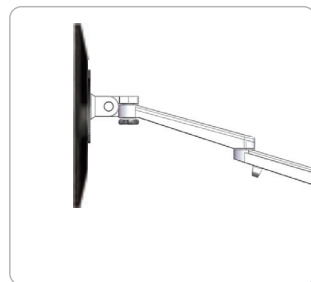
- 8** After positioning at desired angle tighten frame with the 6mm hex key to prevent it from dropping.



- 9** Tighten frame with a 4mm hex key to prevent it from dropping.



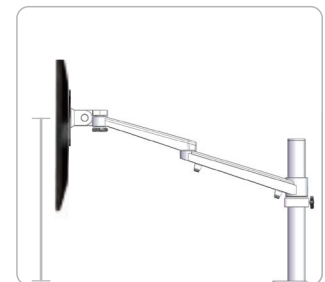
Tilt adjustment
+90° / -80°



Level adjustment
180°



Cantilever adjustment
360°



Height adjustment
max 460mm
max 18 inches