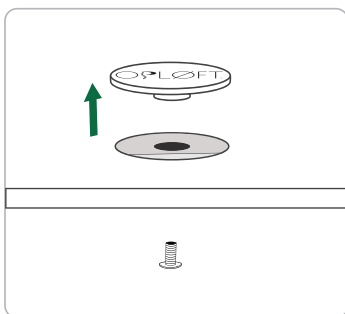
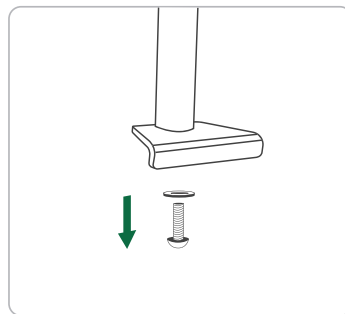


## Installation instructions

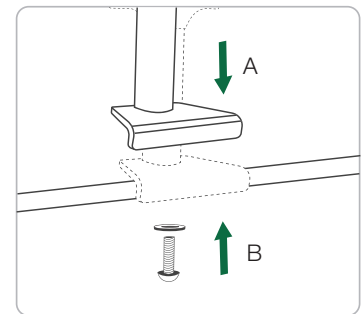
**1** Raise Opløft to highest position.



**2** Remove disc on Opløft surface by removing the screw from underneath using screw driver. Keep disc and screw in a safe place.



**3** Remove the base screw from column using the appropriate hex key.



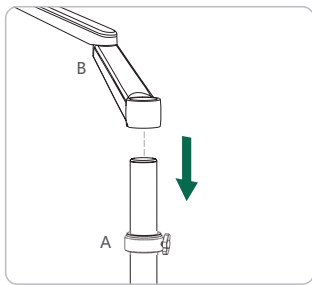
**4** Place the column (A) over hole on Opløft and insert bolt (B) from underneath and securely tighten.

Continued overleaf...

# Installation instructions

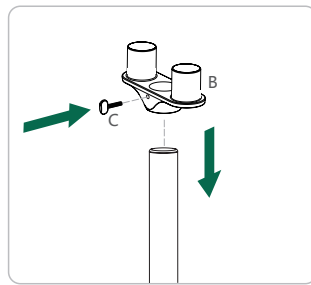
...continued

For Installation of Single Arm

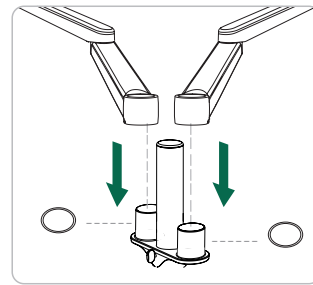


**5** Slide the retaining ring (A) onto the column and set at desired height. Tighten the locking screw using 3mm hex key supplied. Then slide arm (B) onto column.

For Installation of Dual Arm



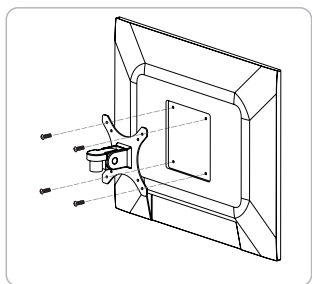
**6** Slide the dual arm connector (B) onto the column. Set to desired height and tighten screw (C) using 3mm hex key supplied.



**7** Slide the nylon washers onto the dual arm connector then position both arms onto connector.

## Warning

- Be careful not to trap fingers.
- Attach the monitor arm onto desk surface before attaching monitor onto arm.
- First check which size of screws supplied are suitable to attach into the monitor.
- Certain monitors may need spacers behind the VESA plate or require different screws.
- Posturite cannot be held liable for damage caused by incorrect screws or equipment used to attach monitor arms to monitors.



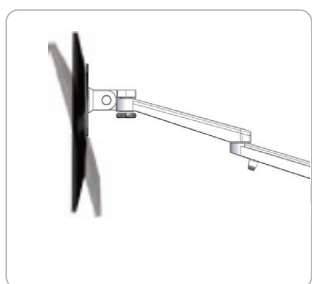
**8** Place the VESA plate onto the back of the monitor and attach using appropriate screws. Do not over tighten.



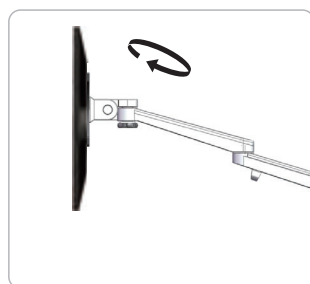
**9** After positioning at desired angle tighten frame with the 6mm hex key to prevent it from dropping.



**10** Tighten frame with a 4mm hex key to prevent it from dropping.



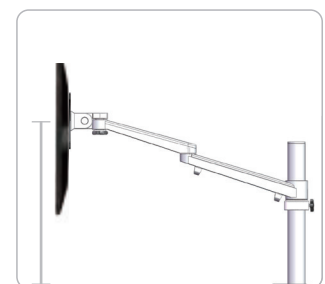
Tilt adjustment  
+90° / -80°



Rotation adjustment  
180°



Cantilever adjustment  
360°



Height adjustment  
max 460mm  
max 18 inches